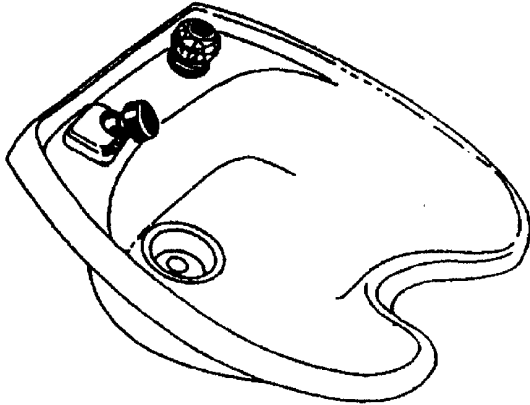


SHAMPOO BOWL INSTALLATION INSTRUCTIONS

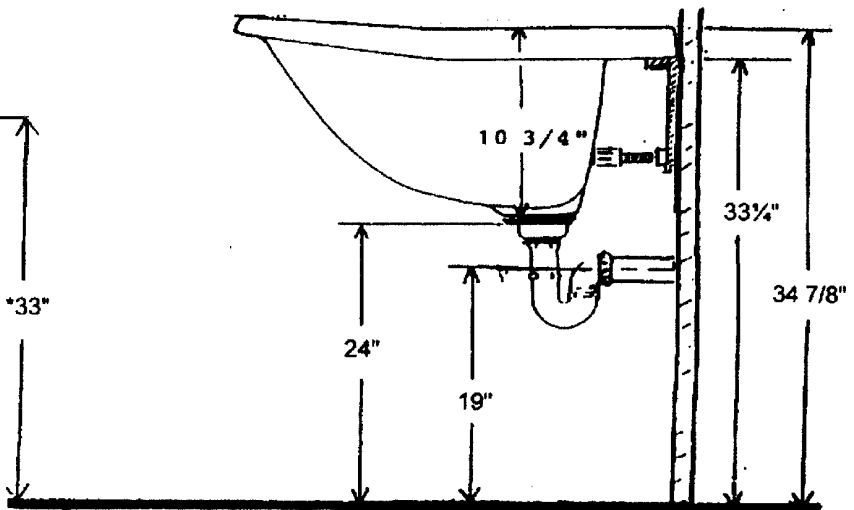
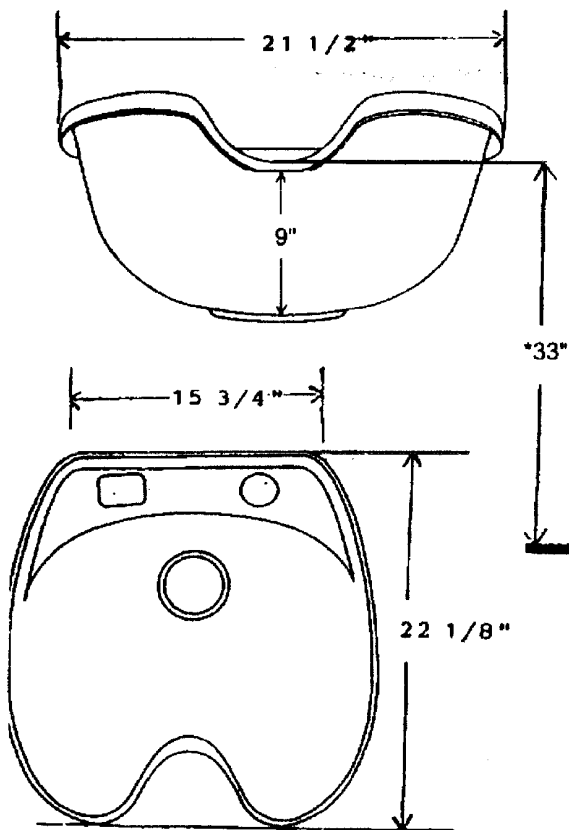
MODEL No. 4000

IMPORTANT

USE WITH ADJUSTABLE BACK
SHAMPOO CHAIRS ONLY.
(NOT SPRING LOADED)



* RELATIONSHIP BETWEEN BOWL NECK AREA
AND CHAIR UNIT TO BE USED, SHOULD BE
CONSIDERED TO DETERMINE EXACT NECK
HEIGHT.

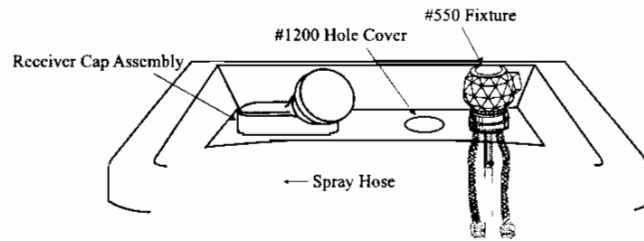


Plumbing Connection Instructions for All Models

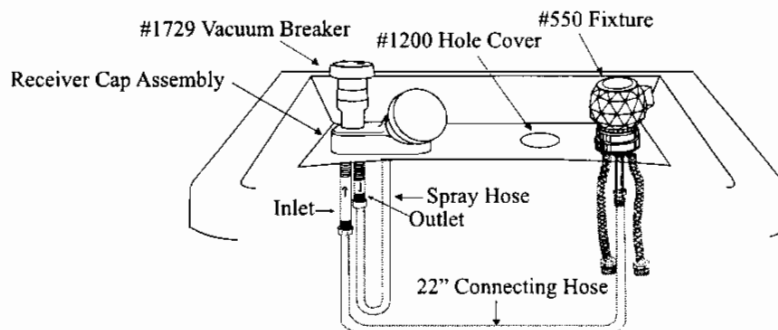
Important Notes:

- This product should only be installed by a licensed plumber.
- The mounting height of the bowl will determine the position of the neckrest. This height is the suggested standard position for use with most equipment, however it is important to consult with the owner due to personal preference.
- When the bowls are to be installed in cabinets with closing lids, height of bowl should be adjusted to allow lid to clear bowl and fixtures when lowered.
- Please read instructions and notes completely before beginning.
- Attach all fixtures and hardware to the bowl prior to mounting to wall or cabinet. (See "Hardware Installation Instructions" sheet.)

1. #550 Fixture and Sprayhose. Insert Sprayhose through Hose Receiver Cap and attach to the outlet on the #550 Fixture.



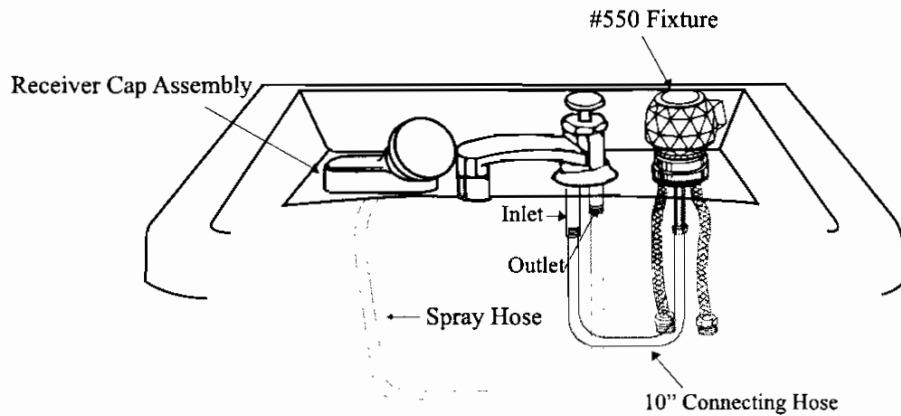
2. #550 Fixture with optional # 1729 Vacuum Breaker. Attach Vacuum Breaker to bowl as shown in (Fixture Installation Instructions). Insert Sprayhose through opening in Hose Receiver Cap and attach to the outlet on the Vacuum Breaker (short pipe nipple, arrow pointing down). Connect 22" Connecting Hose to the inlet on the Vacuum Breaker (long pipe nipple, arrow pointing up) and the other end to the outlet on the #550 Fixture.



Note: Install Vacuum Breaker exactly as shown. Failure to connect the hose connections correctly will cause leaking.

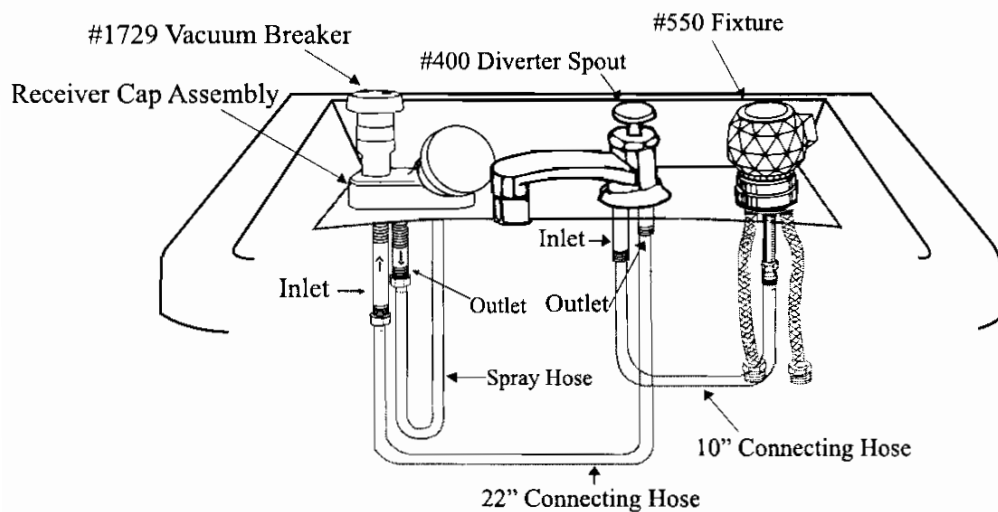
3. #550 Fixture with Optional #400 Diverter.

Insert Sprayhose through Hose Receiver Cap and attach to the outlet on the #400 Diverter (short pipe nipple). Next, connect the 10" connecting hose to the inlet (long pipe nipple) on the #400 Diverter and the other end to the outlet on the #550 Fixture.



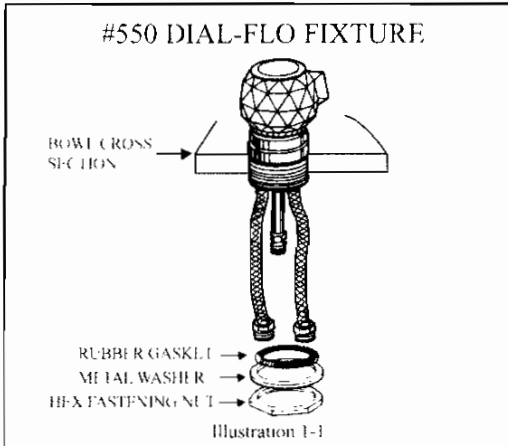
4. #500 Fixture with optional #400 Diverter and optional #1729 Vacuum Breaker. Attach all fixtures as shown in (Fixture Installation Instructions). Insert Sprayhose through Hose Receiver Cap and attach to the outlet on the Vacuum Breaker (short pipe nipple, arrow pointing down on the Vacuum Breaker). Attach 22" connecting hose to the long pipe nipple on the Vacuum Breaker, and the other end to the outlet (short pipe nipple) on the #400 Diverter. Lastly, connect the 10" connecting hose to the long pipe nipple on the #400 Diverter and the other end to the #550 Fixture outlet.

Note: Connections must be made as shown or leaks or damage may occur.



Hardware Installation Instructions

Please follow these instructions first and install all included hardware, then proceed to "Plumbing Connection Instructions"

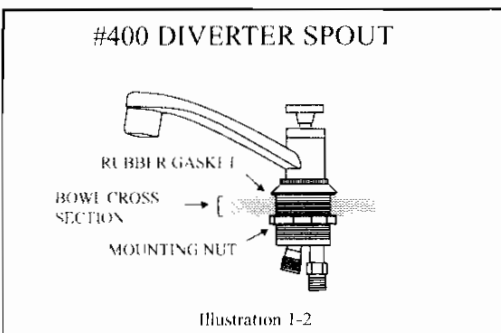


#550 DIAL-FLO FIXTURE INSTALLATION

1. Remove hex fastening nut and metal washer. Install fixture through the 1 $\frac{1}{4}$ " opening, with rubber gasket on top side of bowl.

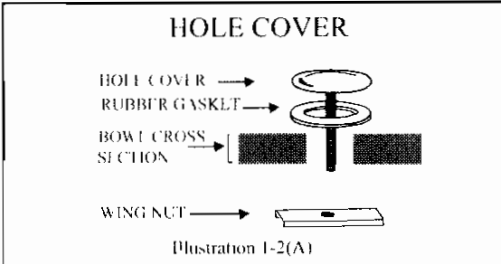
NOTE: Make sure that water supply outlet (short pipe) is facing to the rear of bowl.

2. Install metal washer and hex fastening nut and tighten.

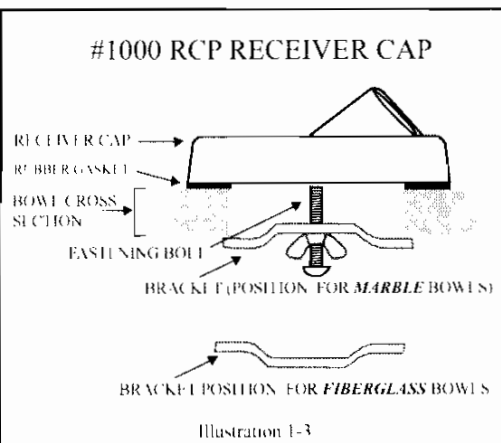


#400 DIVERTER SPOUT INSTALLATION

1. Remove mounting nut. Install fixture through the 1 $\frac{1}{4}$ " opening, with rubber gasket on top side of bowl.
2. Install and tighten mounting nut.



HOLE COVER INSTALLATION (for installations without #400 Diverter Spout)



#1000 RCP RECEIVER CAP INSTALLATION

1. Install rubber gasket to top of bowl, around rectangular opening. Adhesive side of gasket should contact top of bowl.
2. Place receiver cap on top of gasket.
3. Thread wing nut on to fastening bolt.
4. Insert fastening bolt through bracket. **Note different positions for marble and fiberglass bowls.**
5. Thread the bolt securely in to the bottom of the receiver cap, from the under side of bowl. **(Do not over tighten).**
6. Make sure bracket is in position as shown and tighten wing nut to secure receiver cap to bowl.

#1729 VACUUM BREAKER INSTALLATION INSTRUCTIONS

IMPORTANT:

Make sure that copper pipes are installed exactly as shown with **LONG PIPE** installed in line with the **ARROW ON THE VACUUM BREAKER BODY POINTING UP**, and the **SHORT PIPE** in line with the **ARROW POINTING DOWN**.

#1729 VACUUM BREAKER ASSEMBLY

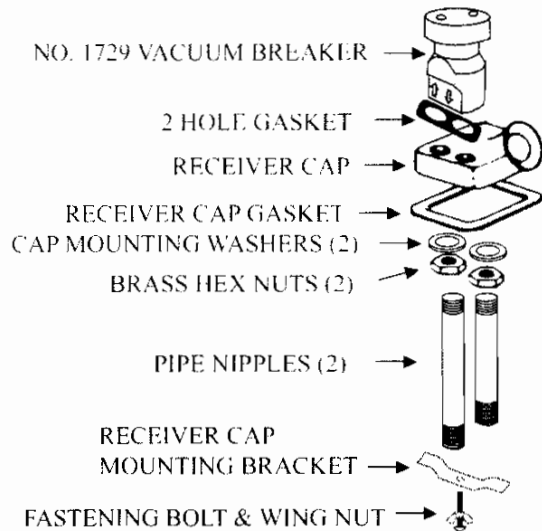


Illustration 1-4

1. Align and install the two hole gasket with adhesive side to the top of the receiver cap.
2. Thread the brass hex nuts all the way onto the pipe nipples, on the ends with the most threads, then install the washers.
3. Apply Teflon tape to the threads and insert the pipes through the bottom of the receiver cap. Making sure that the long pipe is aligned with the "UP" arrow on the vacuum breaker body, and the short pipe with the "DOWN" arrow, thread the pipes into vacuum breaker securely.
4. Secure the Vacuum Breaker to the receiver cap by tightening the brass hex nuts.
5. Mount this assembly to the bowl. (See Illustration 1-5.)

#1729 VACUUM BREAKER INSTALLATION

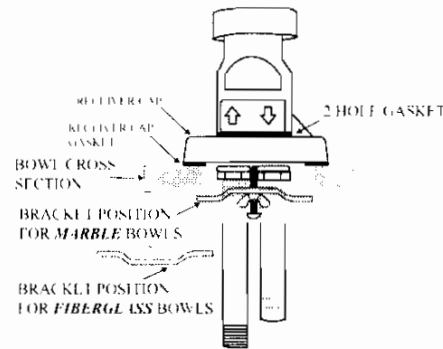


Illustration 1-5

BASKET STRAINER ASSEMBLY

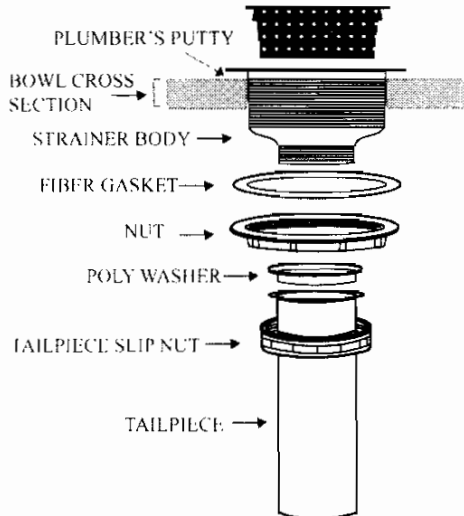


Illustration 1-6

BASKET STRAINER INSTALLATION INSTRUCTIONS

1. Remove all components from strainer body.
2. Apply a generous amount of plumber's putty to the underside of strainer flange.
3. Insert strainer body through drain hole in bowl.
4. Hold strainer body firmly in place while placing fiber gasket around strainer body, and then thread nut on to strainer body. Tighten securely using basin wrench.
5. Place poly washer in flanged top of tailpiece and thread slip nut on to threaded shank of strainer body. Tighten securely.
6. Remove excess putty from around strainer flange.

Care and Cleaning Instructions

You will find your MPC shampoo bowl requires very little effort to maintain. By following the care and cleaning instructions below, you will ensure it's lasting beauty.

- 1) It is recommended that a good grade of paste wax, such as Kit auto wax or comparable, be rubbed on, and buffed off, on a monthly basis. This will help preserve the lustre as well as protect against small abrasions. Liquid auto waxes may also be used, but do not last like paste waxes.
- 2) Under normal conditions, cleaning with detergents and liquid cleaners, such as Cinch, Mr. Clean, 409, etc., will do the job. (We recommend Cinch.) Abrasive cleaners such as Bon Ami, Comet, and Soft Scrub can be used. (We recommend Bon Ami.) However, these cleaners contain abrasive materials and should only be used for the most stubborn areas.
- 3) Solvents, such as acetone, are often effective, and will not damage the surface of the bowl. Use caution with acetone so it does not come in contact with the acrylic fixture handle.

IMPORTANT

Under normal conditions, the above cleaning procedures will prove satisfactory. However, there is no way to foresee the many unusual conditions that might exist. Listed are a few problems that might occur and suggested procedures for handling them.

- 1) **HARD WATER SCALE** - Citric acid, vinegar, lemon juice, and in some cases liquid glass cleaners.
- 2) **GREASE STAINS AND OIL RESIDUE** - Strong liquid detergents such as Mr. Clean or 409.
- 3) **CERTAIN TYPES OF HAIR DYES & COLORS** - These products should not stain a high quality gel coated surface. Occasionally certain colors will leave a slight coating on the surface only. This should be removed as soon as possible using a liquid cleaner. If coating persists, use Bon Ami or comparable.
- 4) **DRAIN CLEANERS** - These cleaners contain highly alkaline or caustic chemicals. Prolonged contact can be harmful to gel coated surfaces. Always make certain the surface has been thoroughly rinsed after use of these chemicals.
- 5) **CIGARETTE BURN STAINS** - Depending on severity, Bon Ami and in some cases a light wet sanding using 600 grit wet/dry sandpaper followed by buffing with a light duty polish-cleaner. We recommend DuPont #7 White Polishing Compound (Not Rubbing Compound). A similar product, Turtle Wax White Polishing Compound, may also be used.
- 6) **LIGHT SCRATCH MARKS** - Depending on the severity, they can be polished out following procedures for removing cigarette stains.

NOTE:

The above polishing procedures using polishing compound are an excellent means to restore the original lustre and beauty of your bowl(s), even after many years of service.