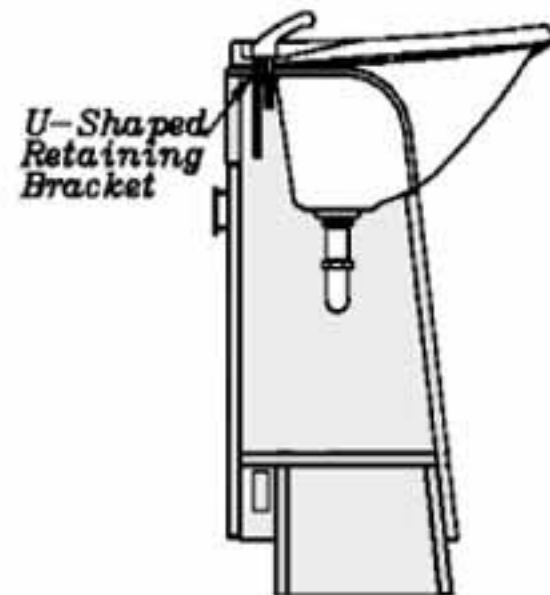
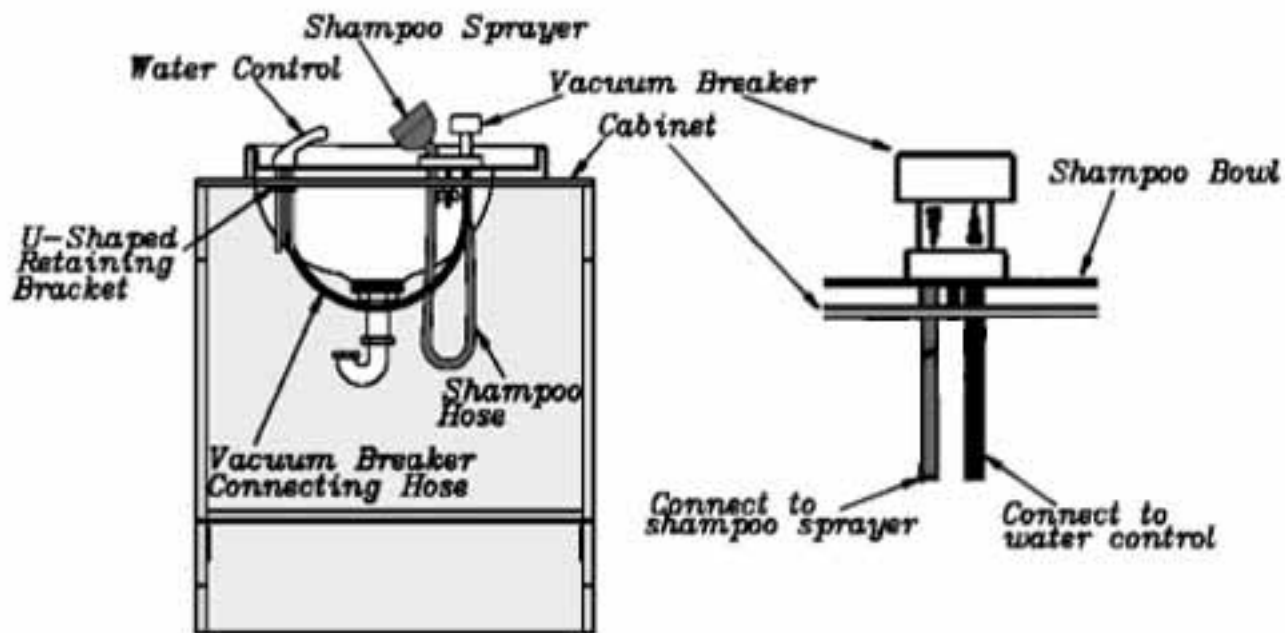
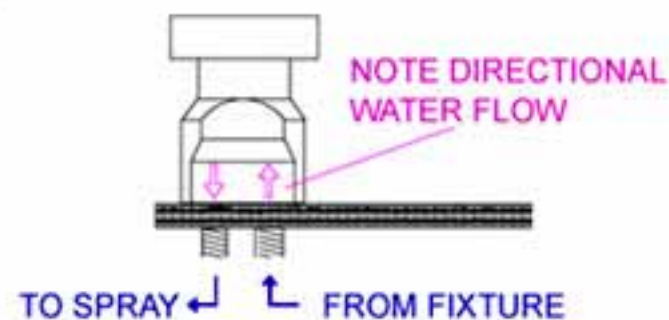
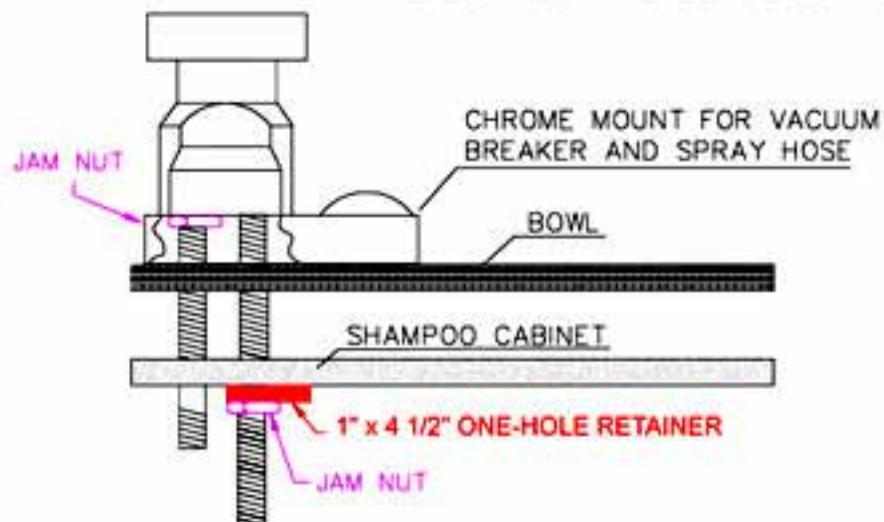


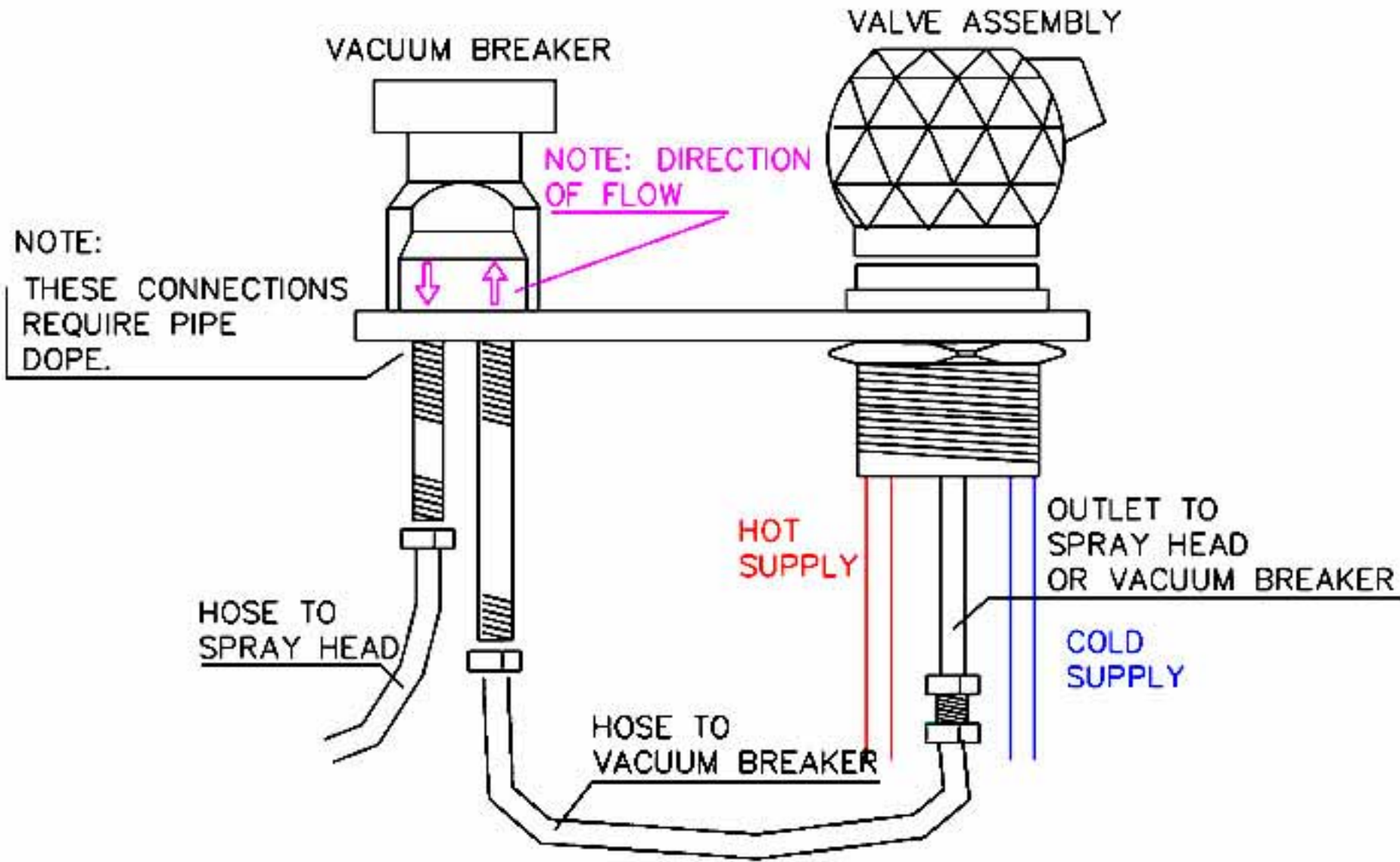
Cabinet Installation Instructions for CB24 Acrylic Shampoo Bowl



Detailed Retention & Directional Flow



 Collins Manufacturing 2000 Bowser Rd. Cookeville TN 38506	
CB23 Installation Instructions	
Rev.	
Date	2006



 Collins Manufacturing 2000 Bowser Rd. Cookeville TN 38506	
CB23 & CB24 FIXTURES	
Title	DETAILED
Date	2006



Collins Concept Shampoo Bowl

Made from Acrylic

CARE & MAINTENANCE

GENERAL CLEANING: Harsh chemicals and disinfectants may damage your new acrylic Concept Shampoo Bowl. For the best results, use soap and water and/or non-abrasive cleaners. Review the instructions on the bottle before applying any cleaner to the acrylic surface. For best results, we recommend the following cleaners be used:

WINDEX, GLASS PLUS, FORMULA 409, MR. CLEAN, SPIC & SPAN, CLOROX

The following cleaners are not recommended for use and may even damage your Concept Bowl:

LYSOL DISINFECTANT SPRAY, LESTOIL, INESOL, WHITECAP, or
DOW DISINFECTANT BATHROOM CLEANER,

ABRASIONS & SCRATCHES: Light abrasions and scratches may be removed and the original gloss substantially restored by using the following materials:

NOVUS PLASTIC POLISH, PERMATEX PLASTIC CLEANER #430D, TURTLEWAX
POLISHING COMPUND, J-WAX AUTOMOTIVE CLEANER/WAX.

FOR MORE STUBBORN STAINS: The following agents may be effective with more stubborn stains, but these agents must be removed quickly and the bowl then be thoroughly cleaned with soap & water to avoid permanent damage.

KEROSENE, RUBBING ALCOHOL mixed with 50% water, TRIALENE SOAP, GASOLINE.

WIPE OFF COLOR and CHEMICALS IMMEDIATELY! PROLONGED EXPOSURE TO THESE CHEMICALS CAN PERMANENTLY DISCOLOR OR DAMAGE THE CONCEPT BOWL'S ACRYLIC FINISH. DO NOT PUT NAIL CARE PRODUCTS, ACETONES, KETONES, ESTERS, OR AROMATIC-HYDROCARBONS IN THE SHAMPOO BOWL.

Failure to follow the above instructions, or use of cleaning products not listed above will void the factory warranty.