

# Shampoo Fixtures

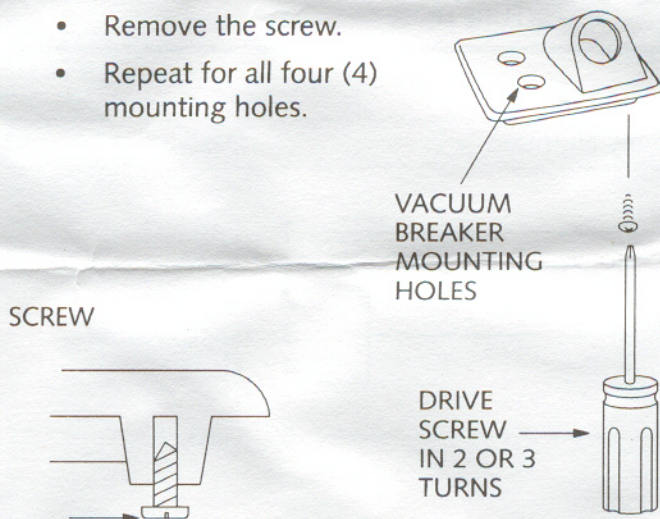
## 403 VACUUM BREAKER AND HOSE RECEIVER AND HOSE RECEIVER

### 403 VACUUM BREAKER AND HOSE RECEIVER INSTALLATION IMPORTANT!

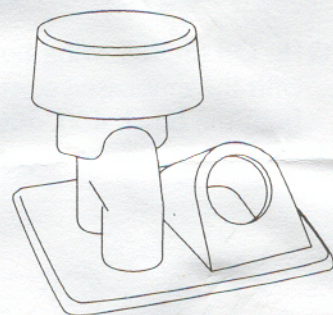
- a) The device shall be installed in accordance with the requirements of the local plumbing code.
  - b) The device shall not be installed where the venting of water from the device during its normal functioning causes damage.
  - c) The device shall be installed downstream of the last valve.
1. Before installing your new Belvedere shampoo bowl, we recommend that you first install the plumbing fixtures to the bowl. Install fixtures according to the instructions packed with them.

### TO ATTACH THE HOSE RECEIVER TO THE BOWL (STEPS 2 thru 6).

2. To make hose receiver installation easier, complete these steps to cut screw threads in the mounting holes:
  - Take a mounting screw and drive it 2 or 3 turns into one hole. **DO NOT OVERTIGHTEN.**
  - Remove the screw.
  - Repeat for all four (4) mounting holes.

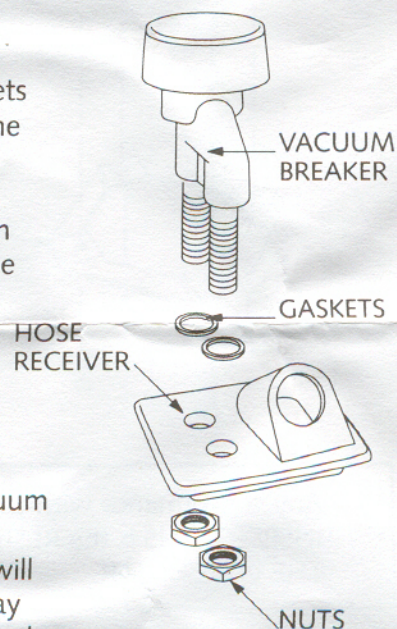


403 VACUUM BREAKER



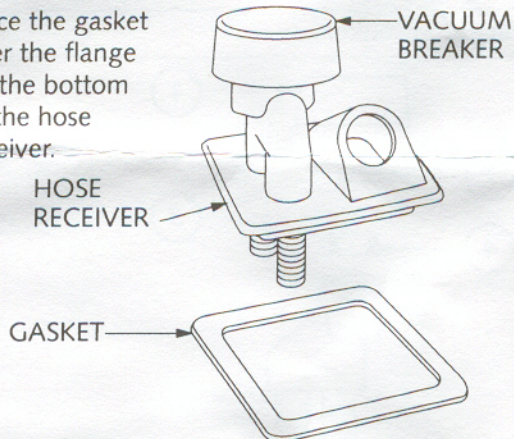
3. Place the vacuum breaker pipes through the Gaskets and the holes in the hose receiver as shown. Secure the vacuum breaker to the hose receiver with two hex-nuts. **DO NOT OVERTIGHTEN.**

Secure the vacuum breaker to the hose receiver with two hex-nuts. **DO NOT OVERTIGHTEN.**



**NOTE:** Install the vacuum breaker as shown. The vacuum breaker will interfere with the Spray if it is installed backwards.

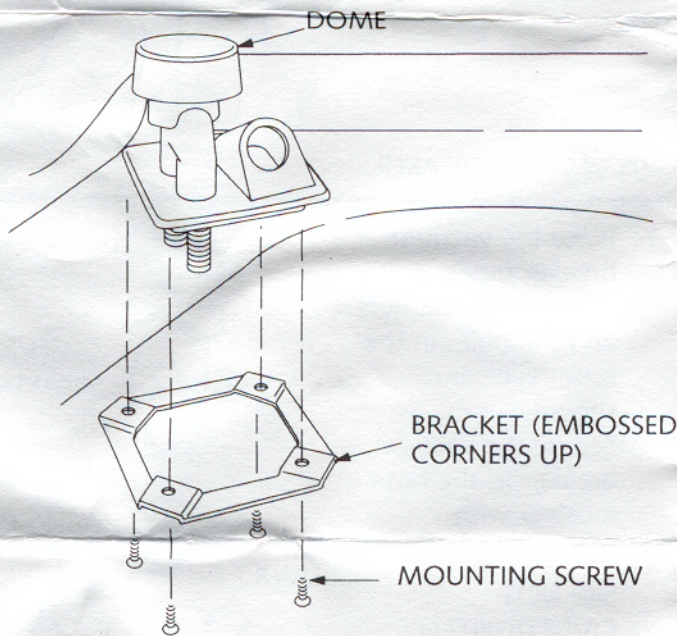
4. Place the gasket over the flange on the bottom of the hose receiver.



**belvedere**

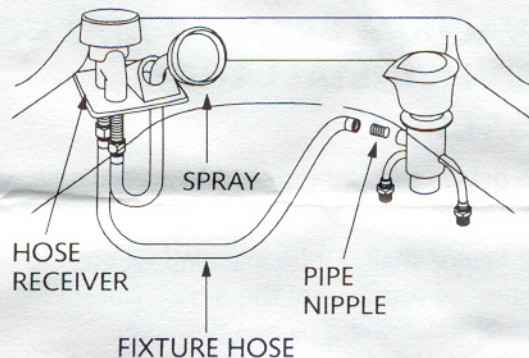
5. Place the hose receiver in the bowl with the large hole in the dome facing the front of the bowl. Install the mounting bracket on the bottom side of the bowl with four (4) embossed corners facing upward, against the bottom of the bowl. Secure with four (4) mounting screws. DO NOT OVERTIGHTEN.

NOTE: On the following bowls, install the bracket with the embossed corners facing down, away from the bowl: 400, 4000, 8200, 8500, and 8501.



Any conformance with LOCAL CODES or INSPECTIONS is the RESPONSIBILITY OF THE PURCHASER.

6. Connect the hoses. If your bowl is equipped with the Model 622 fixture (with the teardrop handle), use the pipe nipple provided to connect the fixture hose to the fixture. Then attach the spray hose connector to the vacuum breaker outlet.



If your bowl is equipped with the 522 Fixture (with the loop handle), connect one end of the Fixture Hose to the inlet side of the Vacuum Breaker. Connect the other end to the fixture tailpiece. Attach the Spray hose connector to the vacuum breaker outlet.

