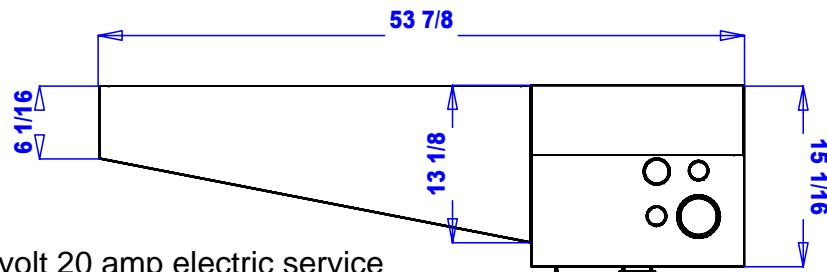


Hardware List
(3) Chrome Wire Pulls
(1) Pair 12" Drawer Slides
(2) Hinges & Plates
(1) Blow Dryer Holder
(1) Lg. Curling Iron Holder
(1) Sm. Curling Iron Holder
(8) Shelf Pins
(2) Adjustable Glass Shelves 1/4" x 4 13/16" x 15 7/8"



110 volt 20 amp electric service by customer in accordance with local codes; typically located 6" right of cabinet, 18" off floor.

Quantity -

Finish Schedule

- Face Color -
- Top Color -
- Toe Color -
- Pulls -
- Interior -
- Other (Specify) -

General Notes:

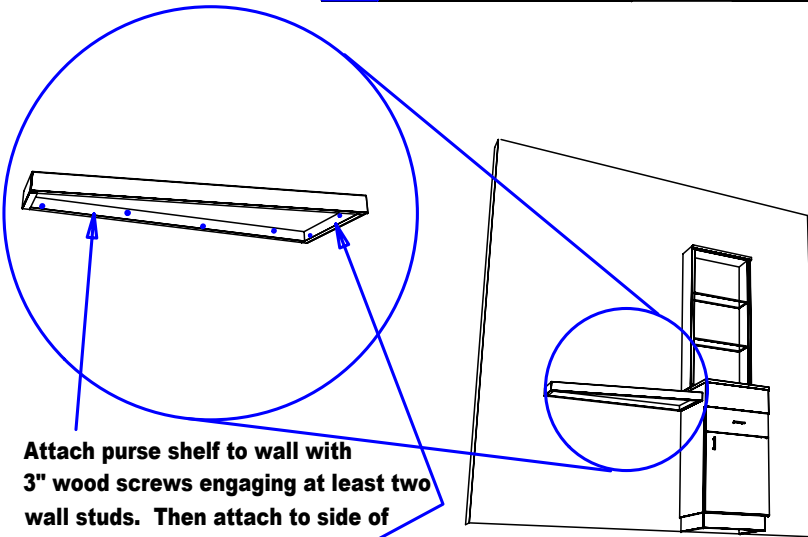
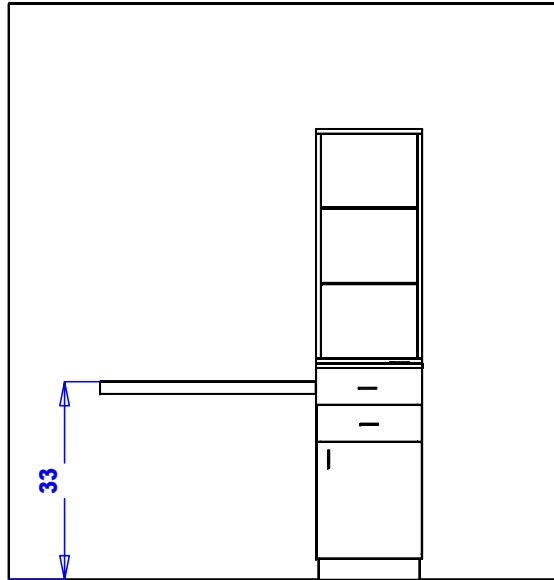
1. All counter tops are to be made removable wherever possible.
2. Items must be broken into manageable sections For Shipping. Mark For Ease Of Reassembly.
3. Install Shipping Cleats Wherever Possible To Prevent Shipping Damage.
4. Purchased items Must Be Trial Fit Before Shipping.



Collins Manufacturing
809 E 20th Street
Cookeville TN 38501

Title: QSETower Styling Station		
Size:	#: 505-54	Drawn By:
Date:	Sheet #: 1	

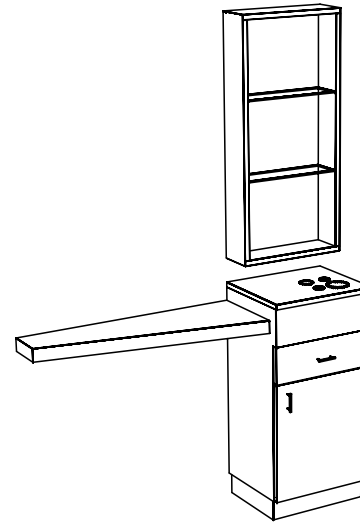
Purse Shelf Mounting



Attach purse shelf to wall with 3" wood screws engaging at least two wall studs. Then attach to side of cabinet using 1 1/2" wood screws.

Retail Mounting

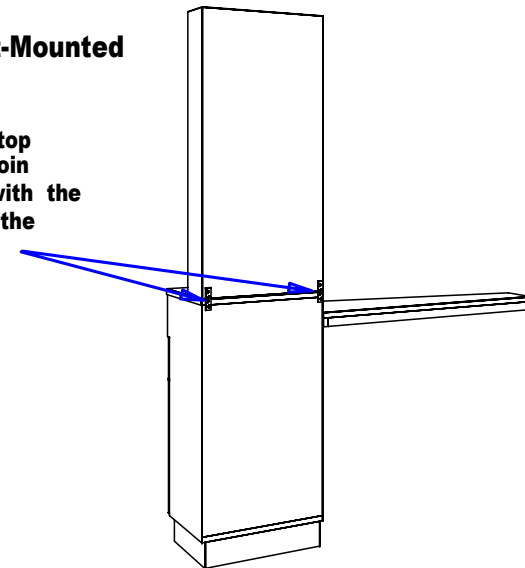
Wall-Mounted



Cabinets should be attached to wood framed walls by screwing through the interior back panel into wall studs or blocking. Fasteners for wood framed walls are provided. The fasteners for other wall types are not provided.

Cabinet-Mounted

Place retail display on top of the base cabinet & join together on the back with the 3" mending plates and the 5/8" screws provided.



Finish Schedule

Face Color -
 Top Color -
 Toe Color -
 Pulls -
 Interior -
 Other (Specify) -

Installation Notes:

1. All hardware needed for assembly is included.
2. Large items are preassembled at the factory to ensure proper alignment. Items are then disassembled into manageable sections for shipping purposes and ease of reassembly.
3. Shipping cleats need to be removed before installation. These cleats are installed to prevent damage.

collins

Collins Manufacturing
 809 E 20th Street
 Cookeville TN 38501

Title: **QSETower Styling Station**

Size: # **505-54** Drawn By:

Date: Sheet #: **3**