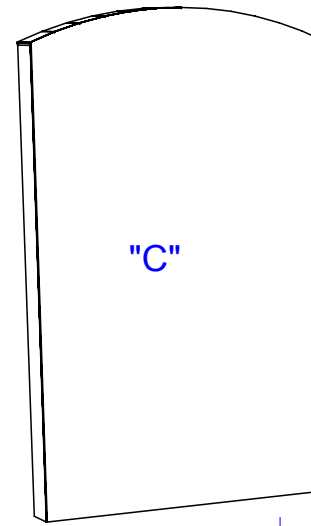
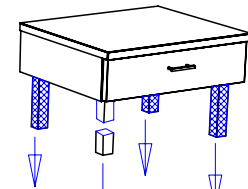


SHELF (PART "E") HAS ONE LEG WITH A BOLT THROUGH TO ATTACH TO CABINET (PART "B")

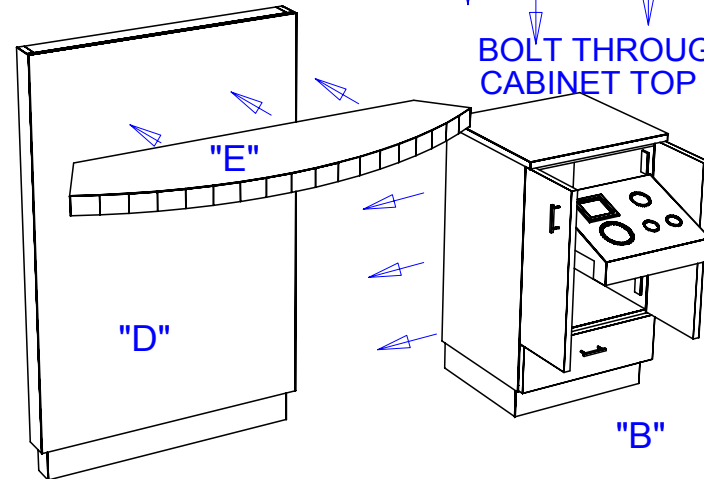


"C"

"A"



BOLT THROUGH CABINET TOP



"D"

"E"


"B"

**BOLT PART "A" ONTO TOP OF PART "B" BY USING THE 3 LEGS THAT ARE SHADED.**

**BOLT PART "C" TO PART "D" ATTACH TO WALL BY USING THE FRENCH CLEAT**

**MOVE PART "A" AND PART "B" INTO PLACE INSERT PART "E" AND BOLT THE FOURTH LEG TO PART "B". SCREW PART "E" INTO PART "D"**

**Purse shelves should be attached by screwing through the back and/or end into the cabinet and/or wall with the screws and/or bolts provided.**

 <b>Collins Manufacturing</b> 2000 Bowser Rd. Cookeville TN 38506	
Title: 801-47-1 Soho Styling Island	
Size:	#: <b>801-48</b> Drawn By:
Date: <b>10/06/04</b>	Sheet #: <b>3</b>