

Shampoo Bowls

by Marble Products



**Model
4000**

Shown with No. 500
Dial-Flo single
control fixture with
extra length
Sof-Flo II shampoo
spray. 22" x 21 1/2"
x 11 1/4" Deep, Shown
in No. 332 Almond

Now, Exclusively from Marble Products,
comes our model 4000 shampoo bowl. This
backwash style bowl has the depth for extra
long hair, unequalled comfort for both

customer and operator, European styling,
and practical American application.
The 4000 is available in marble and granite
with a palette of 24 colors.

It's just what the professional has come to expect from Marble Products

A Complete Selection of Bowl Models

MARBLE PRODUCTS manmade marble and fiberglass shampoo bowls are engineered to meet the exacting needs of the professional, with a new dimension in durability and elegance.

More than 30 years ago, MARBLE PRODUCTS, introduced the original manmade marble shampoo bowls, and shortly thereafter, the first fiberglass bowls. Both have earned national acclaim for their superior quality, styling and durability.

OFTEN COPIED — NEVER EQUALED.



MODEL 2000 — MARBLE BOWL ▲

Years ahead in both style and beauty. The 2000 bowl has 108 cubic inches more working area than any bowl made. It was designed to make shampooing a pleasure for both the customer and operator. In fact, it is America's best selling premium quality bowl.

Shown with No. 500 Dial-Flo single control fixture, extra long Sof-Flo II shampoo spray, 3½" polished stainless steel strainer with unbreakable, non-tarnish fine screen strainer basket.

23" x 20¼" x 11" deep
Shown in: No. 140 Flame Red



MODEL 2001 — PEDESTAL/BOWL ◀

A combination of the 2000 bowl with matching pedestal offering convenience, beauty and prestige, for the modern style conscious salon. Shown with No. 500 Dial-Flo single control fixture with extra length Sof-Flo II shampoo spray. Bowl dimensions same as Model 2000.

Overall height: 34½"
Shown in: No. 318 Mist Gray

MODEL 300 — PEDESTAL/BOWL ▶

The 200 bowl with matching traditional pedestal, offers both convenience and nostalgic beauty. Certain to be an investment that can only appreciate with time.

Shown with No. 500 Dial-Flo single control fixture and No. 400 manual control diverter spout, with extra length Sof-Flo II shampoo spray and optional No. 1729 vacuum breaker. Bowl dimensions same as Model 200.

Overall height: 33½"
Shown in: No. 320 Port



MODEL 100 ▶ MARBLE BOWL

Highly popular for its all around efficiency and comfort.

Shown with No. 500 Dial-Flo single control fixture with Sof-Flo II shampoo spray.

19" x 20" x 9½" deep
Shown in: No. 301 Nutmeg



MODEL 200 — MARBLE BOWL ▲

A proven favorite with its attractive styling. Extra wide work area and exclusive M.P.C. comfort plus neck rest design. Shown with No. 500 Dial-Flo single control fixture and No. 400 Manual control diverter spout. Optional No. 1729 vacuum breaker and Sof-Flo II extra length shampoo spray.

22½" x 18½" x 9" deep
Shown in: No. 309 Charcoal

Models and Colors for Every Need!

New Backwash Style Bowl

U.S. Patent Number: Des. 315,197

MODEL 3000-W—(MARBLE) ▶ (For Wall Mounting Only)

Absolutely the most comfortable shampoo bowl made. Features European style shampoo approach without the disadvantages of difficult plumbing and customer discomfort of most European bowls.

Important: Use with adjustable back shampoo chairs only. (Not spring loaded.) Follow instructions for neck height carefully. (Not for use with wet styling units.)

Shown with No. 500 Dial-Flo single control fixture with extra length Sof-Flo II shampoo spray, 3½" polished stainless steel strainer with unbreakable non-tarnish fine screen strainer basket.
18" x 23" x 9" deep Shown in: No. 306 Black



The Original Fiberglass Shampoo Bowls by Marble Products

Where quality is imperative — *When economy is essential*

America's fastest growing shampoo bowl, developed by Marble Products almost 20 years ago, has earned a reputation for superior quality, equaled by few products in our time. Made with the same diamond hard gel coated finish as our marble bowls, and genuine fiberglass reinforcement.

You Have Tomorrow's Shampoo Bowls — Today



◀ MODEL 10 — FIBERGLASS BOWL

Same full size interior dimensions and popular styling as our Model 100. Lightweight, high quality.

Available in all 19 M.P.C. solid color selections. Shown with No. 500 Dial-Flo single control fixture with extra length Sof-Flo II shampoo spray.

19" x 20" x 9½" deep

Shipping weight: 16 lbs.

Shown in: No. 311 Sand

MODEL 30 — FIBERGLASS BOWL ▶

Popular styling with extra large working area, designed for customer comfort.

Shown with No. 500 Dial-Flo single control fixture and Sof-Flo II extra length shampoo spray. 3½" polished stainless steel strainer with unbreakable non-tarnish fine screen strainer basket. Available in 19 M.P.C. solid color selections.

22" x 19" x 10" deep

Shipping weight: 17 lbs.

Shown in: No. 316 Champagne

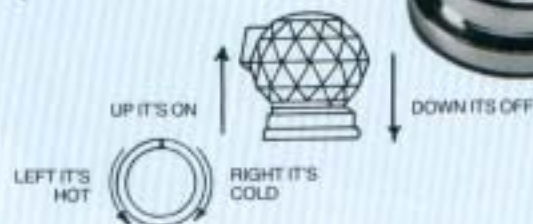


MARBLE PRODUCTS FIXTURES AND ACCESSORIES

500 DIAL-FLO FAUCET ▶

The silky smooth action of the Dial-Flo single control faucet makes it the most advanced fixture in the industry. Pull up for exact pressure desired. Dial the temperature you like, left for HOT and right for COLD. Turn water on or off without resetting.

For use with the No. 1735 Sof-Flo shampoo spray and with or without No. 400 diverter spout.



400 DIVERTER FAUCET ▼

For use with #500 "Dial-Flo" single lever faucet and M.P.C. #1735 "Sof-Flo" Shampoo Spray. Faucet has 4 1/2" swivel spout with manual diverter knob. Pull up to divert water through spray, push down to redirect through spout.



700 SHAMPOO FIXTURE ▼



Solid Brass. 3 3/4" cc high quality hot-cold faucet for use with disappearing shampoo sprays. Available as a replacement faucet for all older-style bowls.

SOF-FLO SHAMPOO SPRAY ▼



Design engineered to direct water in a straight, soft pattern that will flush the hair without creating overspray. Nylon reinforced PVC tubing has more than four times the flex life of rubber.

Available in Medium Gray Color.

NO. 1729 REGULAR VACUUM BREAKER ▶

Approved for use where plumbing codes require, to eliminate back-flow of water through shampoo hose. Meets all local and national plumbing code requirements. CSA listed.



NO. 1732 LOS ANGELES VACUUM BREAKER

(Not illustrated)

NO. 1701 "CATCH-ALL" HAIR TRAP ▼



- Over 400% more capacity.
- Fits existing bowls.
- May be used in most areas.
- Transparent polypropylene (check local plumbing codes before installing).

MARBLE PRODUCTS

A DIVISION OF KOKEN MFG. CO., INC.

Showrooms and Design Centers: New York, NY (212) 541-6880 • Somerset, NJ (732) 469-3077 • Long Island, NY (800) 545-3777 • Buffalo, NY (877) 372-5800 • Boston, MA (800) 283-3252 • Philadelphia, PA (800) 405-2745 • Charlotte, NC (866) 492-7292 • Tampa, FL (877) 972-4777 • Minneapolis, MN (800) 854-0358 • Chicago, IL (800) 825-2725 • Cuyahoga Falls, OH (888) 201-3241 • Dallas, TX (800) 476-6068 • St. Louis, MO (800) 325-7373 • Irvine, CA (949) 465-9945 • Mississauga, ONT. (905) 822-2755



2080 S. EDWARDS / WICHITA, KANSAS 67213 / (316) 942-7600



305 WHITE



306 BONE



308 ALMOND



304 TAUPE



322 PEARL



311 SAND



303 COBALT BLUE



318 MIST GREY



306 BLACK



309 CHARCOAL



301 NUTMEG



314 GINGER



328 SHADOW BLUE



324 MIDNIGHT BLUE



323 GREEN



330 SILVER PINE



325 PEACH



329 MAUVE



All M.P.C. bowls meet the requirements of American National Standards ANSI-Z39.3, and have the Uniform Plumbing Code seal of approval (UPHACO)



319 SPANISH RED



320 PORT



140 FLAME RED



327 ROSE

For granite color samples:
 350 GRAY GRANITE
 351 BLACK GRANITE
 352 NATURAL GRANITE
 353 ADOBE GRANITE
 See at your local Marble Products dealer.
YOUR ASSURANCE OF QUALITY

Color Selector

Marble & Fiberglass Colors

HTAKARAJ TRBELMONT

MARBLE PRODUCTS DIVISION
 2080 S Edwards • Wichita, Kansas 67213

The complete selection of Marble Products Shampoo Bowl Colors are formulated from 100% N.P.G. Grit Coats. (+ Neo Phenyl Glycol, a development of Essman Chemical Co.) Their superior qualities offer Excellent Chemical, Stain and Abrasion resistance. With a minimum of care these finishes will retain their gloss and color for the life of your salon.

Care and Cleaning Instructions

You will find your MPC shampoo bowl requires very little effort to maintain. By following the care and cleaning instructions below, you will ensure it's lasting beauty.

- 1) It is recommended that a good grade of paste wax, such as Kit auto wax or comparable, be rubbed on, and buffed off, on a monthly basis. This will help preserve the lustre as well as protect against small abrasions. Liquid auto waxes may also be used, but do not last like paste waxes.
- 2) Under normal conditions, cleaning with detergents and liquid cleaners, such as Cinch, Mr. Clean, 409, etc, will do the job. (We recommend Cinch.) Abrasive cleaners such as Bon Ami, Comet, and Soft Scrub can be used. (We recommend Bon Ami.) However, these cleaners contain abrasive materials and should only be used for the most stubborn areas.
- 3) Solvents, such as acetone, are often effective, and will not damage the surface of the bowl. Use caution with acetone so it does not come in contact with the acrylic fixture handle.

IMPORTANT

Under normal conditions, the above cleaning procedures will prove satisfactory. However, there is no way to foresee the many unusual conditions that might exist. Listed are a few problems that might occur and suggested procedures for handling them.

- 1) **HARD WATER SCALE** - Citric acid, vinegar, lemon juice, and in some cases liquid glass cleaners.
- 2) **GREASE STAINS AND OIL RESIDUE** - Strong liquid detergents such as Mr. Clean or 409.
- 3) **CERTAIN TYPES OF HAIR DYES & COLORS** - These products should not stain a high quality gel coated surface. Occasionally certain colors will leave a slight coating on the surface only. This should be removed as soon as possible using a liquid cleaner. If coating persists, use Bon Ami or comparable.
- 4) **DRAIN CLEANERS** - These cleaners contain highly alkaline or caustic chemicals. Prolonged contact can be harmful to gel coated surfaces. Always make certain the surface has been thoroughly rinsed after use of these chemicals.
- 5) **CIGARETTE BURN STAINS** - Depending on severity, Bon Ami and in some cases a light wet sanding using 600 grit wet/dry sandpaper followed by buffing with a light duty polish-cleaner. We recommend DuPont #7 White Polishing Compound (Not Rubbing Compound). A similar product, Turtle Wax White Polishing Compound, may also be used.
- 6) **LIGHT SCRATCH MARKS** - Depending on the severity, they can be polished out following procedures for removing cigarette stains.

NOTE:

The above polishing procedures using polishing compound are an excellent means to restore the original lustre and beauty of your bowl(s), even after many years of service.

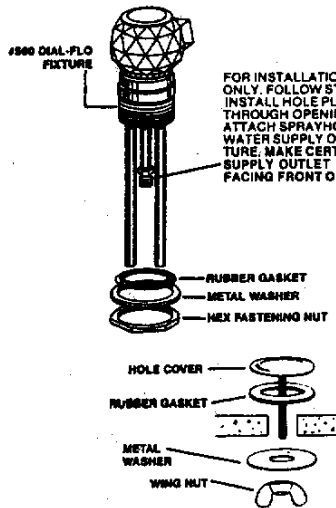


SHAMPOO BOWL INSTALLATION INSTRUCTIONS

Model No. 100, 200, and 2000 MARBLE BOWLS



500 DIAL-FLO FIXTURE



FOR INSTALLATION OF 500 FAUCET ONLY, FOLLOW STEP 1. THEN INSTALL HOLE PLUG COVER THROUGH OPENING AS SHOWN. ATTACH SPRAYHOSE DIRECT TO WATER SUPPLY OUTLET ON FIXTURE. MAKE CERTAIN THAT WATER SUPPLY OUTLET ON FIXTURE IS FACING FRONT OF BOWL.

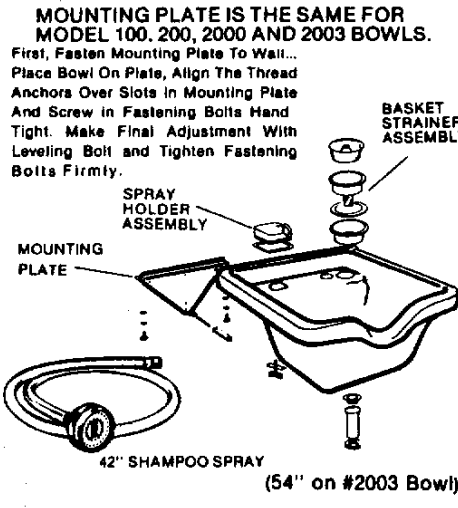
RUBBER GASKET
METAL WASHER
HEX FASTENING NUT

HOLE COVER
RUBBER GASKET
METAL WASHER
WING NUT

(STANDARD COMPONENTS FOR ALL MARBLE BOWLS)

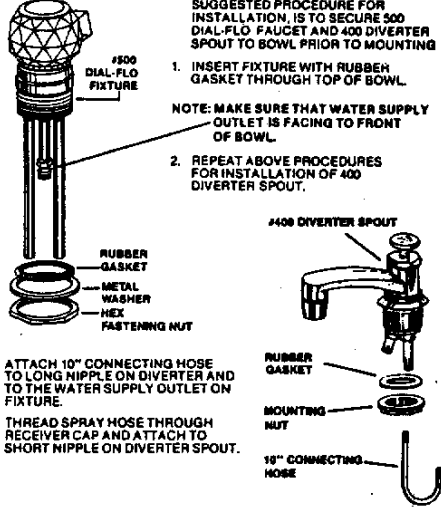
MOUNTING PLATE IS THE SAME FOR MODEL 100, 200, 2000 AND 2003 BOWLS.

First, Fasten Mounting Plate To Wall... Place Bowl On Plate, Align The Thread Anchors Over Slots In Mounting Plate And Screw In Fastening Bolts Hand Tight. Make Final Adjustment With Leveling Bolt and Tighten Fastening Bolts Firmly.



SPRAY HOLDER ASSEMBLY
MOUNTING PLATE
BASKET STRAINER ASSEMBLY
42" SHAMPOO SPRAY (54" on #2003 Bowl)

500 DIAL-FLO with 400 DIVERTER SPOUT



SUGGESTED PROCEDURE FOR INSTALLATION. IS TO SECURE 500 DIAL-FLO FAUCET AND 400 DIVERTER SPOUT TO BOWL PRIOR TO MOUNTING

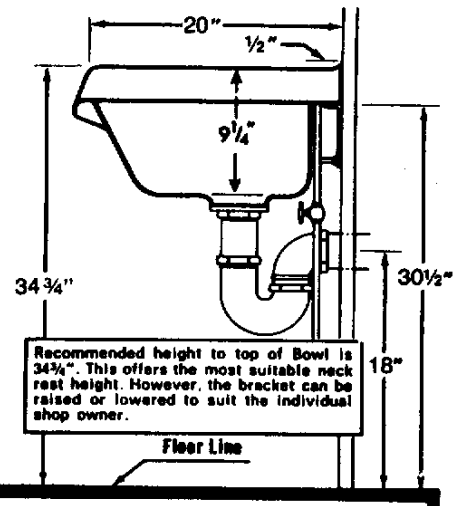
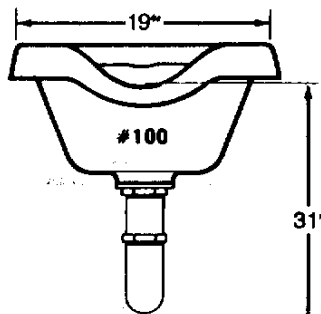
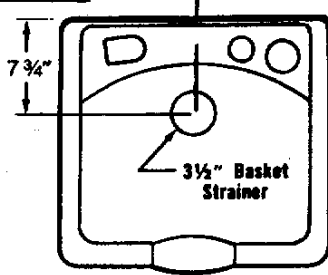
1. INSERT FIXTURE WITH RUBBER GASKET THROUGH TOP OF BOWL.
2. REPEAT ABOVE PROCEDURES FOR INSTALLATION OF 400 DIVERTER SPOUT.
3. ATTACH 10" CONNECTING HOSE TO LONG NIPPLE ON DIVERTER AND TO THE WATER SUPPLY OUTLET ON FIXTURE.
4. THREAD SPRAY HOSE THROUGH RECEIVER CAP AND ATTACH TO SHORT NIPPLE ON DIVERTER SPOUT.

NOTE: MAKE SURE THAT WATER SUPPLY OUTLET IS FACING TO FRONT OF BOWL.

RUBBER GASKET
METAL WASHER
HEX FASTENING NUT

400 DIVERTER SPOUT
RUBBER GASKET
MOUNTING NUT
10" CONNECTING HOSE

MODEL 100

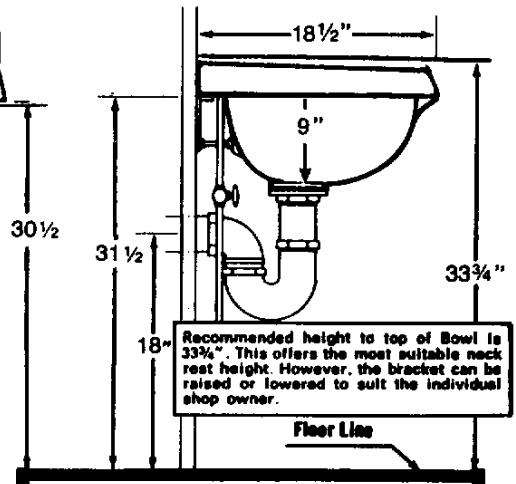
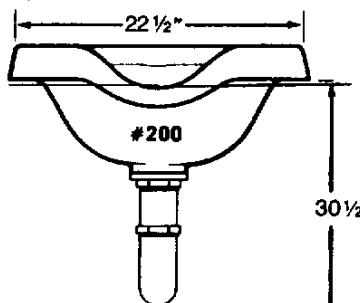
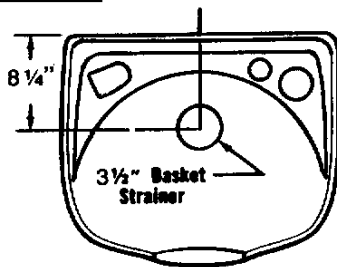


IMPORTANT:

When bowls are to be installed in wet booth units, height of bowl should be adjusted to allow lid to clear bowl and fixtures when lowered.

Suggested neck heights for BARBER BOWLS is between 31" and 35". The exact height however, will be determined entirely by the type of installation.

MODEL 200



MARBLE PRODUCTS

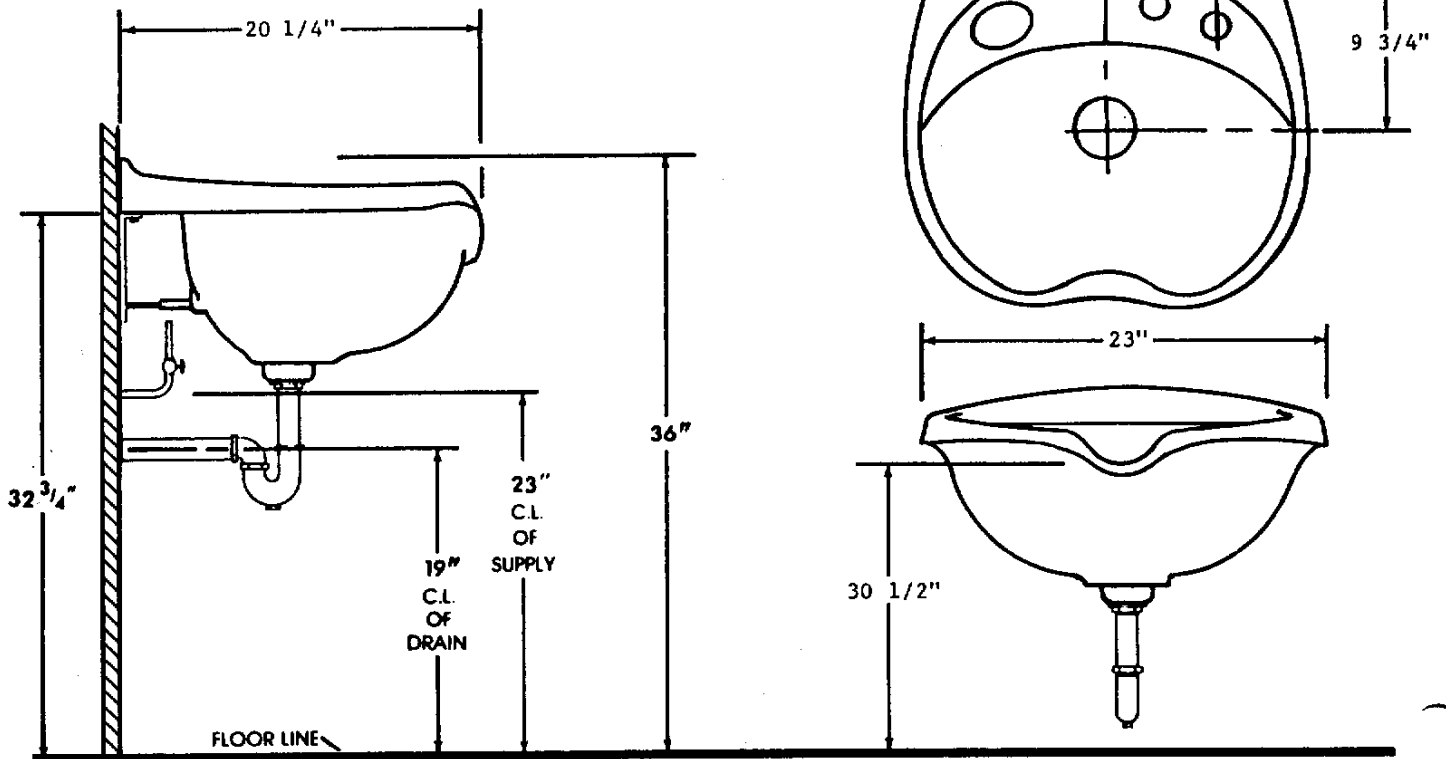
A DIVISION OF KOKEN MFG. CO. INC.



2080 S. EDWARDS / WICHITA, KANSAS 67213 / (316) 942-7600

MODEL 2000

IMPORTANT: When Bowls Are To Be Installed In Wet Booth Units, Height Of Bowl Should Be Adjusted To Allow Lid To Clear Bowl And Fixtures When Lowered.
Suggested Neck Heights For BARBER BOWLS is between 31" and 35". The Exact Height However, Will Be Determined Entirely By The Type Of Installation.



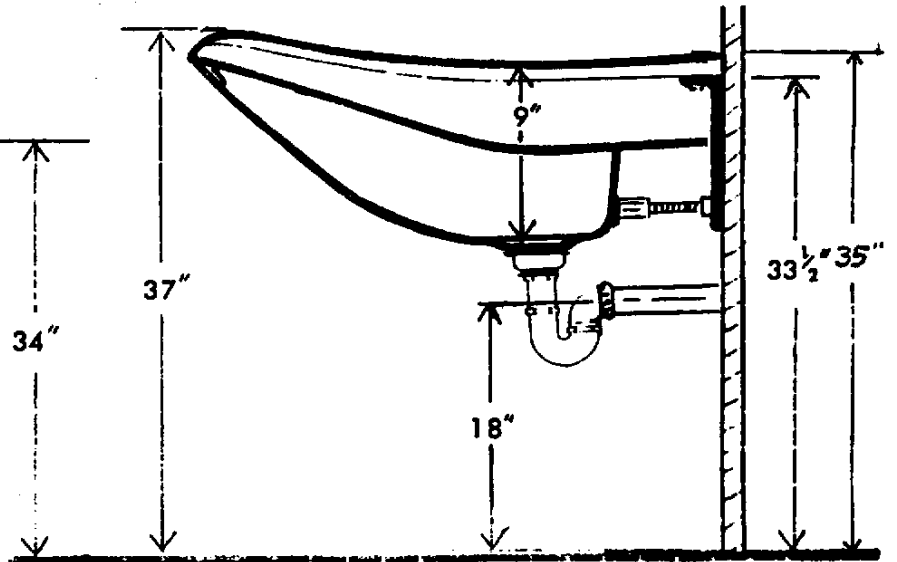
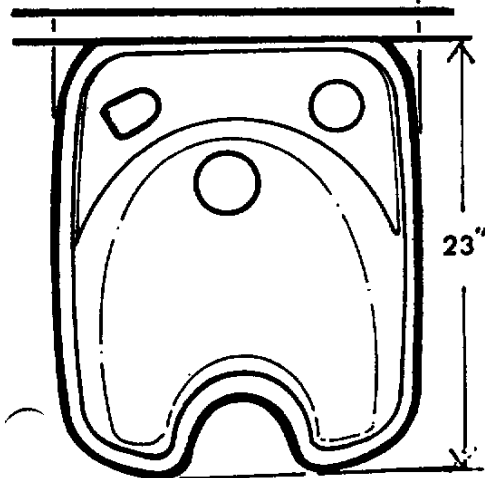
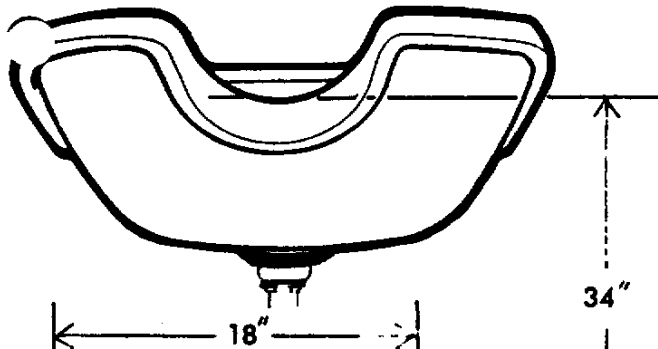
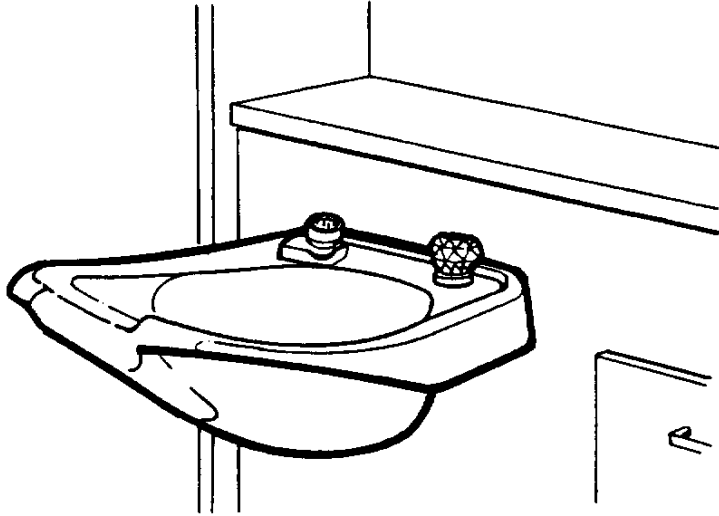
SHAMPOO BOWL INSTALLATION INSTRUCTIONS

MODEL No. 3000 - WM

IMPORTANT

USE WITH ADJUSTABLE BACK
SHAMPOO CHAIRS ONLY
(NOT SPRING LOADED)

NOT RECOMMENDED FOR USE
WITH WET STYLING STATIONS



MARBLE PRODUCTS

A DIVISION OF KOKEN MFG. CO., INC.
2080 S. EDWARDS • WICHITA, KANSAS 67213 • 316-942-7600

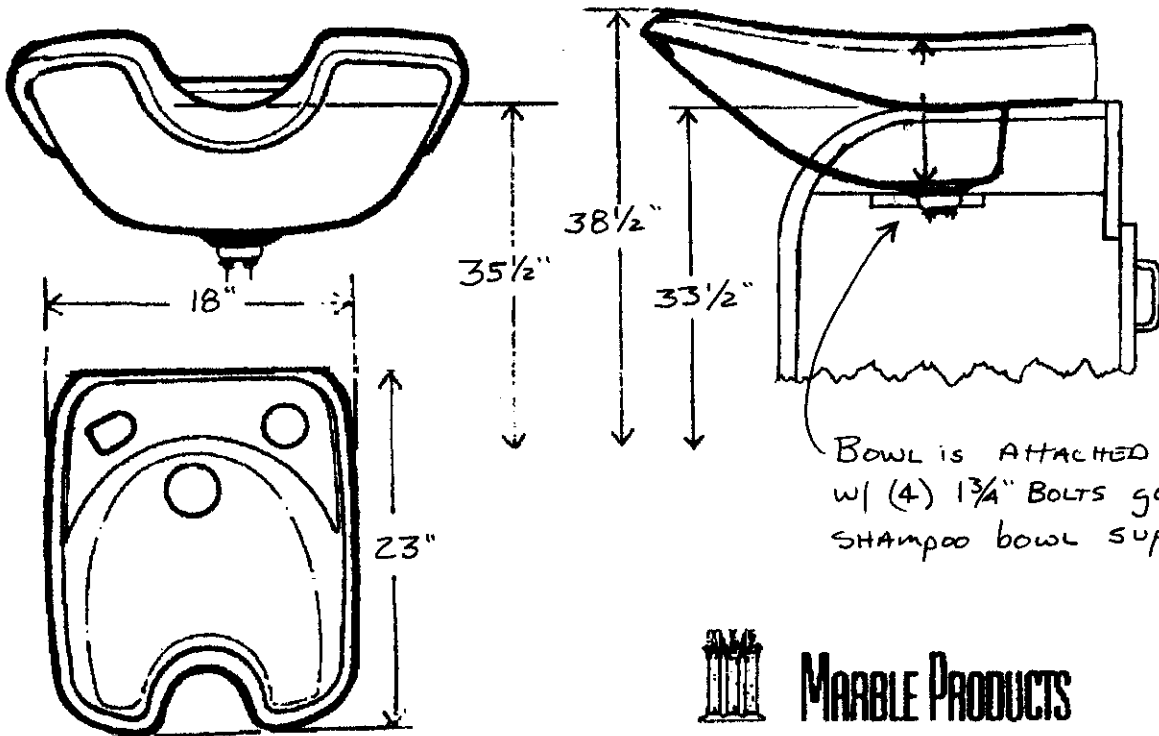
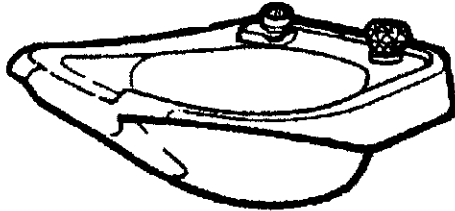
SHAMPOO BOWL INSTALLATION INSTRUCTIONS

Model No. 3000 - B

IMPORTANT

USE WITH ADJUSTABLE BACK
SHAMPOO CHAIRS ONLY
(NOT SPRING LOADED)

NOT RECOMMENDED FOR USE
WITH WET STYLING STATIONS



BOWL IS ATTACHED TO CABINET
W/ (4) 1 3/4" BOLTS GOING THROUGH
SHAMPOO BOWL SUPPORT PLATE



MARBLE PRODUCTS

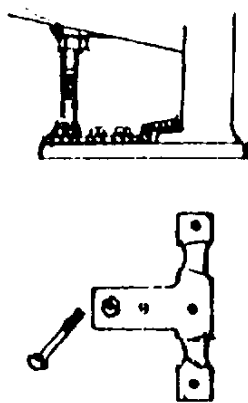
A DIVISION OF KOKEN MFG. CO., INC.
2080 S. EDWARDS • WICHITA, KANSAS 67213 • 316-942-7800

FIBERGLASS SHAMPOO BOWL INSTALLATION INSTRUCTIONS

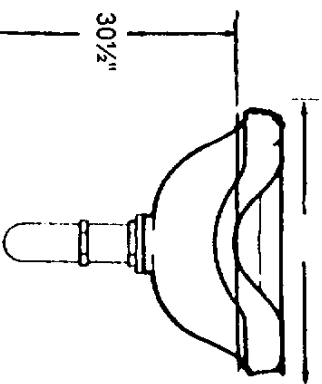
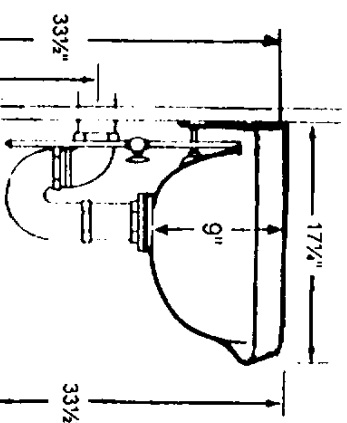
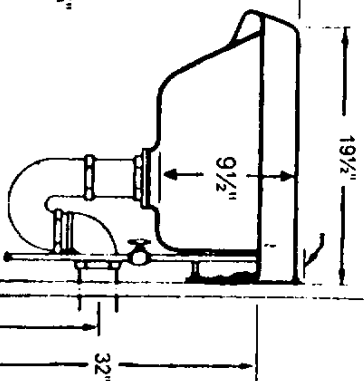
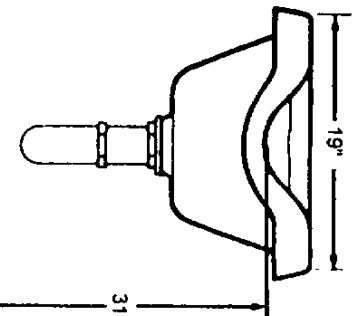
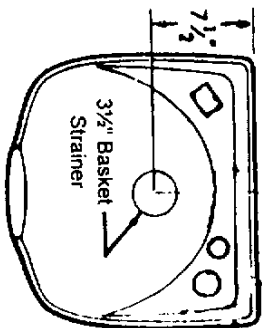
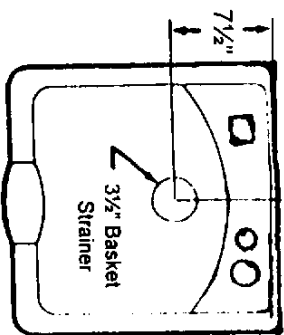
FOR MODELS 10, 20 & 30 (See reverse side for Model 30)

MODEL 10 & MODEL 20

Fasten Mounting plate to wall. Place bowl lugs in slots and push down until it rests on edge of plate. Tighten all bolts securely and make final adjustment with leveling bolt.



TOP OF BRACKET TO FLOOR
 This bracket height is suggested to obtain the most suitable neckrest height, however, the bracket can be located higher or lower to suit the individual shop owner.



MP502A

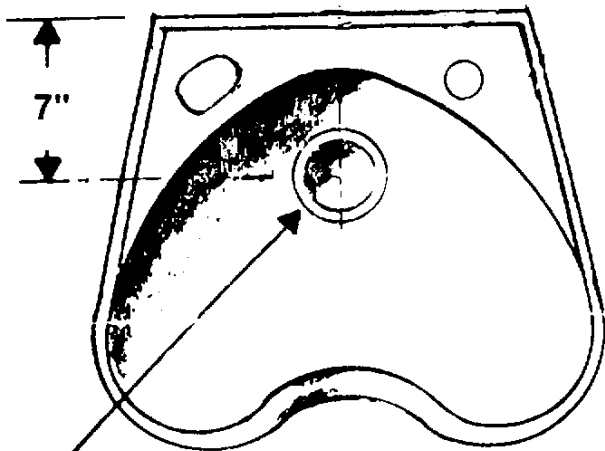
MARBLE PRODUCTS

DIV. OF KOKEN MANUFACTURING CO., INC.
 2080 S. EDWARDS • WICHITA, KS 67213
 316-942-7600

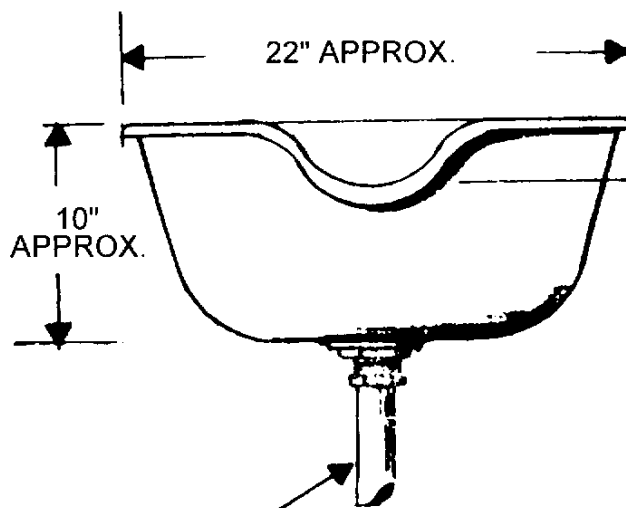
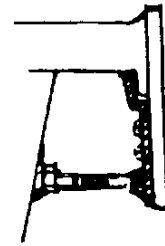
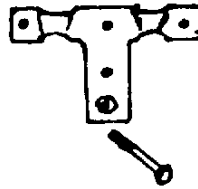
INSTALLATION INSTRUCTIONS MODEL No. 30

MODEL 30

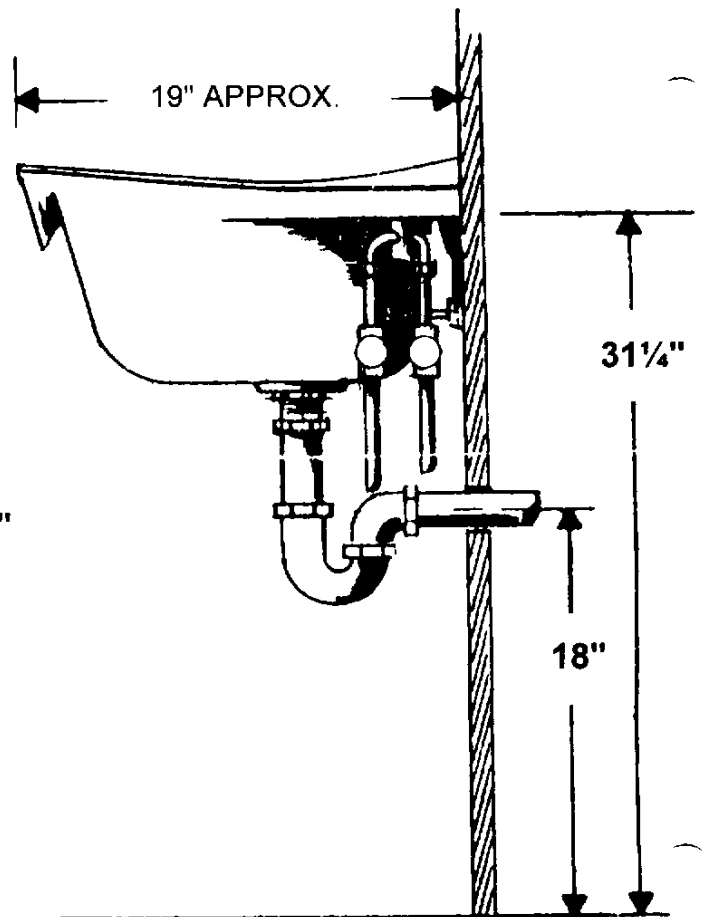
Fasten Mounting Plate to wall. Place bowl lugs in slots and push down until it rests on edge of plate. Tighten all bolts securely and make final adjustment with leveling bolt.



3 1/2" BASKET STRAINER



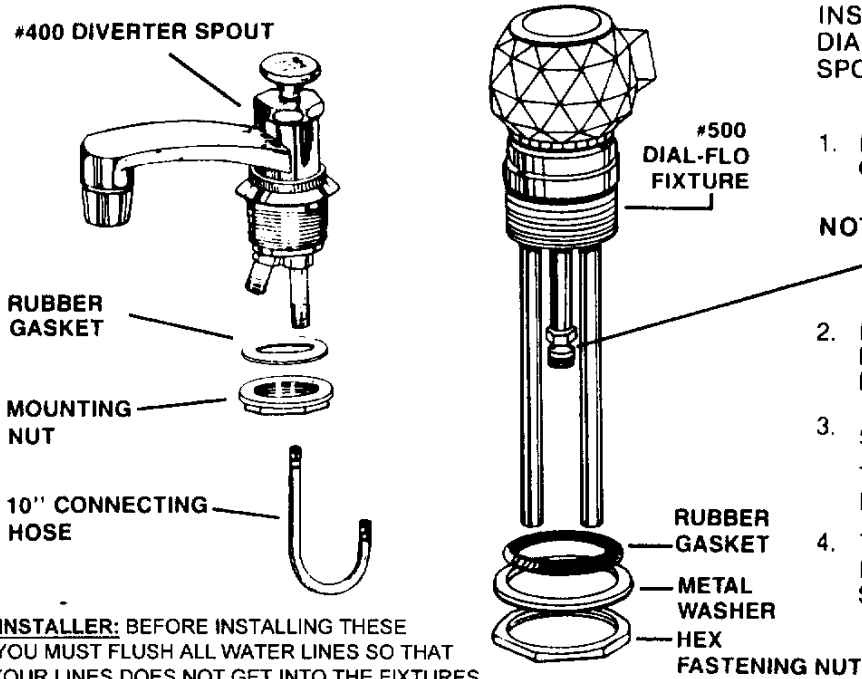
4" TAILPIECE FURNISHED



FINISHED FLOOR LINE

FIXTURE INSTALLATION INSTRUCTIONS

500 DIAL-FLO with 400 DIVERTER SPOUT



SUGGESTED PROCEDURE FOR INSTALLATION, IS TO SECURE 500 DIAL-FLO FAUCET AND 400 DIVERTER SPOUT TO BOWL PRIOR TO MOUNTING.

1. INSERT FIXTURE WITH RUBBER GASKET THROUGH TOP OF BOWL.

NOTE: MAKE SURE THAT WATER SUPPLY OUTLET IS FACING TO FRONT OF BOWL.

2. REPEAT ABOVE PROCEDURES FOR INSTALLATION OF 400 DIVERTER SPOUT.

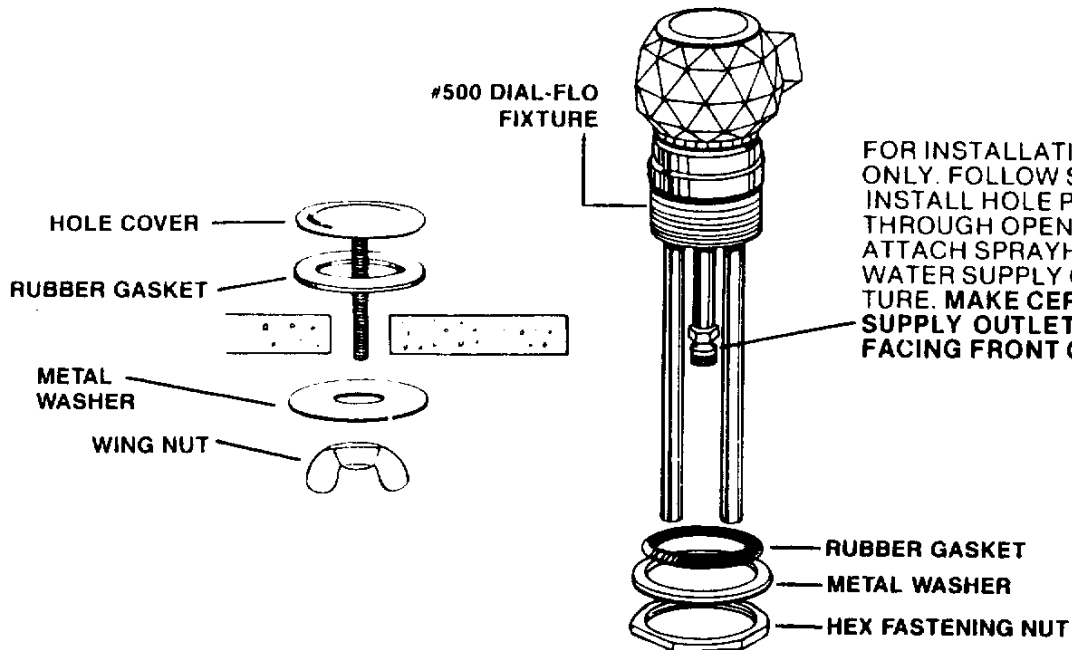
3. ATTACH 10" CONNECTING HOSE TO LONG NIPPLE ON DIVERTER AND TO THE WATER SUPPLY OUTLET ON FIXTURE.

4. THREAD SPRAY HOSE THROUGH RECEIVER CAP AND ATTACH TO SHORT NIPPLE ON DIVERTER SPOUT.

NOTICE TO INSTALLER: BEFORE INSTALLING THESE FIXTURES, YOU MUST FLUSH ALL WATER LINES SO THAT DEBRIS IN YOUR LINES DOES NOT GET INTO THE FIXTURES CAUSING THEM TO LEAK. IF THIS IS NOT DONE, ALL WARRANTY IS VOID.

INSTALLATION INSTRUCTIONS

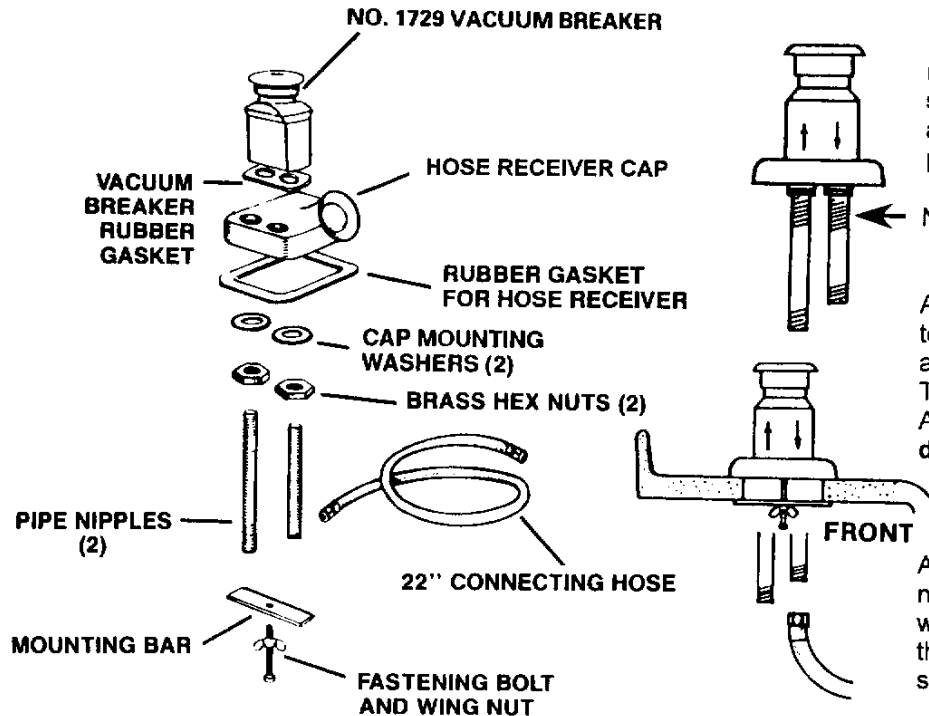
500 DIAL-FLO FIXTURE



FOR INSTALLATION OF 500 FAUCET ONLY, FOLLOW STEP 1. THEN INSTALL HOLE PLUG COVER THROUGH OPENING AS SHOWN. ATTACH SPRAYHOSE DIRECT TO WATER SUPPLY OUTLET ON FIXTURE. MAKE CERTAIN THAT WATER SUPPLY OUTLET ON FIXTURE IS FACING FRONT OF BOWL.

INSTALLATION INSTRUCTIONS

NO. 1729 VACUUM BREAKER



Pre-assemble Vacuum Breaker, hose receiver cap and pipe nipples with the **short pipe installed in line with the arrow on the Vacuum Breaker body pointing down.**

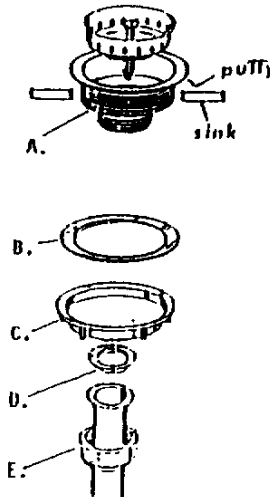
Note: USE TEFLON TAPE ON THREADS

Attach the assembly with rubber gasket to the bowl and place the fastening bolt and wing nut through the mounting bar. Thread bolt in to hose receiver cap, Align and tighten securely by hand only, **do not over tighten.**

Attach connecting hose to the long pipe nipple (arrow pointing up) then to the water outlet on faucet. Insert spray hose through receiver cap and attach to the short pipe nipple (arrow pointing down).

BASKET STRAINER ASSEMBLY INSTALLATION INSTRUCTIONS

1. Remove all components from strainer body A.
2. Apply a generous amount of plumber's putty to underside of strainer flange.
3. Insert strainer body through drain hole in bowl.
4. Hold strainer body firmly in place while installing under the bowl, first the friction gasket B.
5. Thread on lock-nut C. (hold strainer body firmly in place). Tighten securely using basin wrench.
6. Place flanged tailpiece washer D onto tailpiece and install slipnut E with threads up-wards on tailpiece and screw onto threaded shank of strainer body.
7. Remove excess putty from around strainer flange.



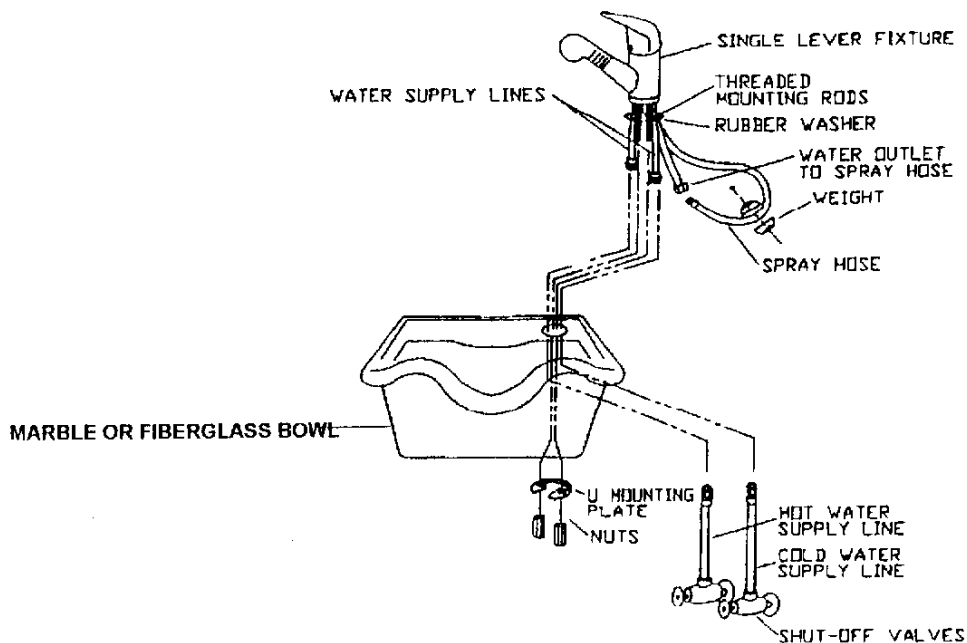
MARBLE PRODUCTS

A DIVISION OF KOKEN MFG. CO., INC.

2080 S. EDWARDS • WICHITA, KANSAS 67213 • 316-942-7600

800FIXTURE INSTALLATION INSTRUCTIONS

PULL-OUT SINGLE LEVER SHAMPOO FIXTURE w/BUILT-IN VACUUM BREAKER



FAUCET INSTALLATION

Insert fixture through top of bowl with the rubber washer making contact with the bowl surface. Feed all hoses through hole in bowl.

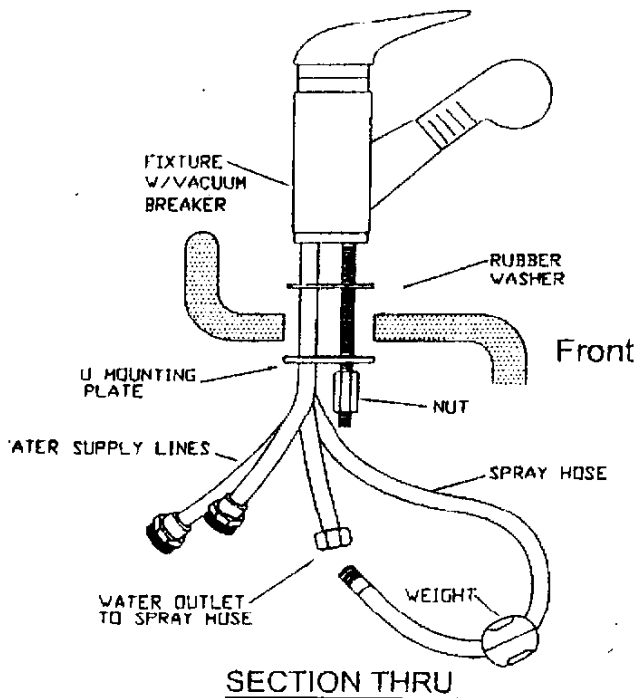
From underneath slide u-mounting plate onto threaded mounting rods and fasten nuts to rods. Tighten nuts snug up against u-mounting plate.

Attach end of spray hose to the water supply outlet on the fixture.

Note:
Secure the single lever faucet hose to bowl prior to mounting.

Attach hot and cold water supply lines to the faucet.

Attach the weight to the spray hose near the bottom of the loop.

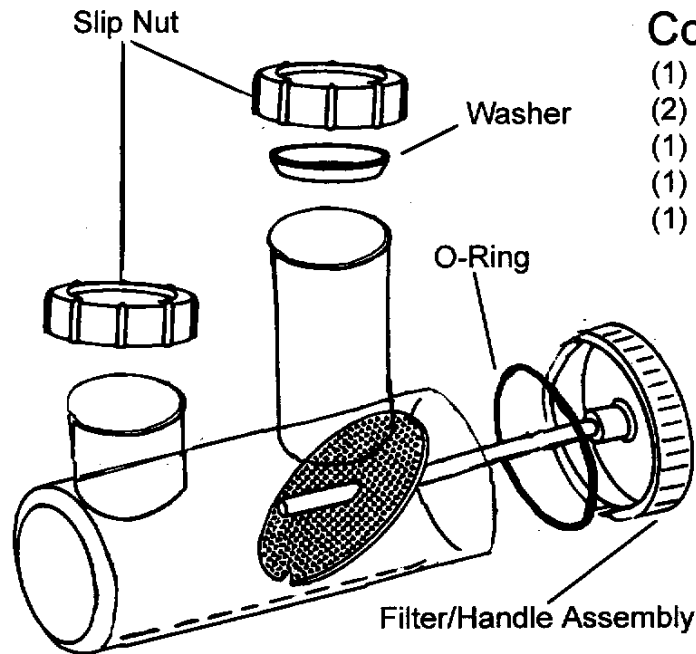


MARBLE PRODUCTS

2080 S EDWARDS WICHITA KANSAS 67213
316 942 7600 FAX 316 942 7688

Installation Instructions

No. 1701 "CATCH-ALL" HAIR TRAP



Contents

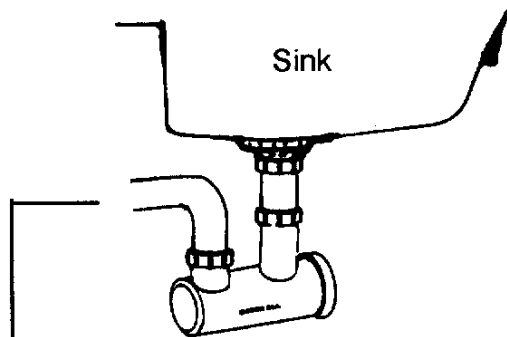
- (1) - Hair Trap
- (2) - Slip Nuts
- (1) - 1½" Washer
- (1) - Filter/Handle Assembly
- (1) - O-Ring

To Install

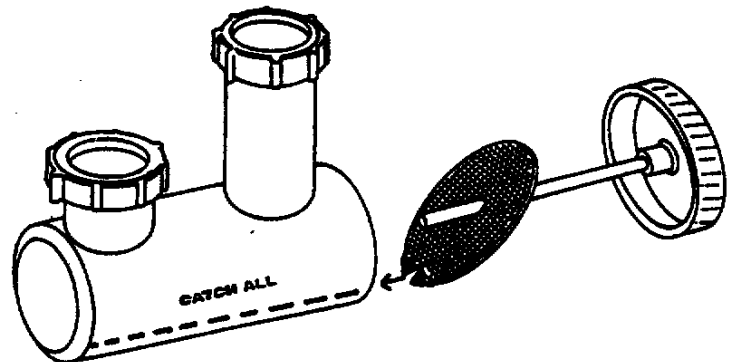
1. Place slip nut and washer over 1½" tail piece.
2. Place slip nut over flange of elbow pipe (not included).
3. Install Hair Trap and tighten slip nuts.
4. Run water and check for leaks.

To Clean

1. Unscrew filter/handle assembly.
2. Remove all debris.
3. Make sure o-ring is in position in the handle cap.
4. Replace by aligning slot in filter over the guide inside hair trap and tighten firmly by hand.
5. Run water and check for leaks.



One-piece flanged elbow pipe required for installation



MARBLE PRODUCTS

A DIVISION OF KOKEN MFG. CO., INC.
2080 S. EDWARDS • WICHITA, KANSAS 67213 • 316-942-7600